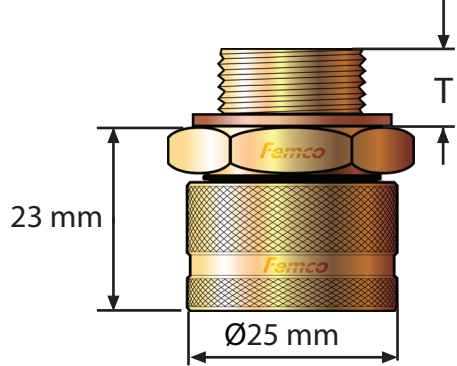


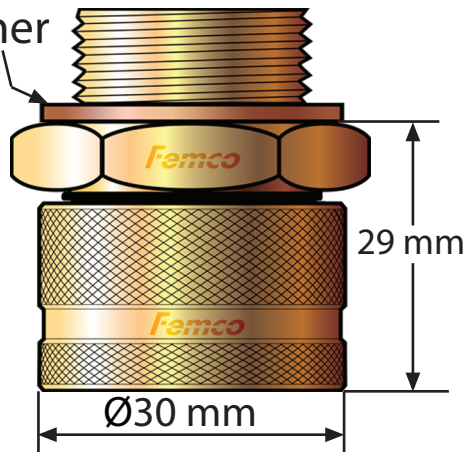
## Standard & Speed Click Design



### Small series

12 - 22mm  
 $\frac{1}{2}$  -  $\frac{7}{8}$

Copper Washer

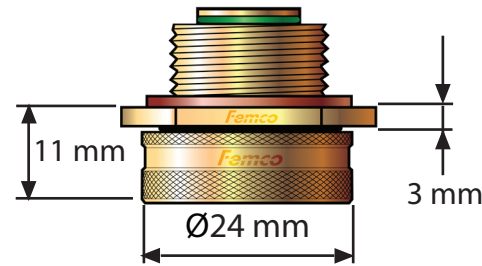


### Large series

12 - 50mm  
 $\frac{1}{2}$  - 2"

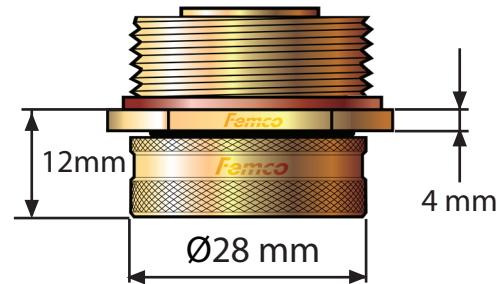
T = Thread length  
 Copper washers are 1.5 or 2mm thick depending on size and availability.

## Compact Design



### Small series

12 - 22mm  
 $\frac{1}{2}$  -  $\frac{7}{8}$



### Large series

24mm & ABOVE  
 1" & ABOVE

### Materials used in manufacture

Body, valve & valve plate - Brass  
 Spring - Stainless Steel  
 Valve O-ring - Viton

Drainers, tube & nut - Brass  
 Hose - PVC, Clip - Zinc plated Steel

# Femco UK

## Oil Drain Plugs



## Specifications

[www.drainplug.co.uk](http://www.drainplug.co.uk)

Thread Size	Thd Lth mm	Special	SB	Hex mm	LB	Hex mm
M12x1.0	9		x	22	x	30
M12x1.25	9		x	22	x	30
M12x1.5	9		x	22	x	30
M12x1.75	10		x	22	x	30
M14x1.25	9		x	22	x	30
M14x1.25	12		x	22	x	30
M14x1.5	9		x	22	x	30
M14x1.5	11.5		x	22		
M14x1.75	10		x	22		
M14x2.0	10		x	22	x	30
M16x1.25	9		x	22	x	30
M16x1.5	9		x	22	x	30
M16x1.5	10	LR TD5	x	22		
M16x2.0	10		x	22	x	30
M18x1.5	9		x	24	x	30
M18x1.5	12		x	24	x	30
M18x1.5	17		x	24		
M19x1.5	10		x	27		
M20x1.5	10		x	27	x	30
M20x1.5	12				x	30
M20x1.5	15				x	30
M20x1.75	10		x	27	x	30
M20x2.0	10		x	27		
M20x2.5	10		x	27		
M22x1.25	10		x	27	x	30
M22x1.5	7	ZF	x	27	x	30
M22x1.5	10		x	27	x	30
M22x1.5	12		x	27	x	30
M22x1.5	13				x	30
M22x1.5	15				x	30
M22x1.5	17		x	27	x	30
M22x1.75	10		x	27	x	30
M22x2.0	10		x	27	x	30
M24x1.5	10				x	30
M24x1.5	12				x	30
M24x1.5	15				x	30
M24x2.0	10				x	30
M24x2.0	12				x	30
M24x2.0	25				x	30
M25x1.5	10				x	32
M25x1.5	12				x	32
M25x1.5	15				x	32
M26x1.5	10				x	32
M26x1.5	17				x	32
M26x1.5	17				x	32
M27x1.5	10				x	32
M27x1.5	12				x	32
M27x2.0	12				x	32
M28x1.5	12				x	36
M28x2.0	12				x	36
M30x1.0	10				x	36
M30x1.5	10				x	36
M30x1.5	15				x	36
M30x1.5	17				x	36
M30x2.0	12				x	36
M32x1.5	12				x	36
M32x2.0	12				x	36
M34x1.5	12				x	42
M36x1.5	12				x	42
M36x2.0	12				x	42
M38x1.5	12				x	46
M40x1.5	12				x	50
M40x2.0	12				x	50
M42x1.5	12				x	50
M48x2.0	17				x	55

Thread Size	Thd Lth mm	Special	SB	Hex mm	LB	Hex mm
1/2-20 UNF	10		x	22	x	30
1/2-20 UNF	15		x	22	x	30
9/16-18 UNF	10		x	22	x	30
5/8 -11 UNC	10		x	22		
5/8-18 UNF	10		x	22	x	30
3/4-16 UNF	10	SB hex 22	x	22	x	30
3/4-16 UNF	10	SB hex 27	x	27		
3/4-16 UNF	15		x	27	x	30
7/8-14 UNF	10		x	22	x	30
7/8-14 UNF	15				x	30
7/8-16 UN	10		x	27	x	30
7/8-18 UNS	10		x	27	x	30
7/8-20 UNEF	10		x	27	x	30
1 -12 UNF	12				x	32
1 -14 UNS	12				x	32
1 -18 UNS	12				x	32
1 -18 UNS	25				x	32
1 1/16-12 UN	15				x	32
1 1/16-12 UN	25	O-ring			x	32
1 1/8-12 UNF	15				x	36
1 1/4-18 UNEF	12				x	36
1 5/16-12 UN	12				x	36
1 5/16-24 UN	12				x	36
1 3/8-16 UN	12				x	42
1 1/2 -12 UNF	12				x	46
2 -12 UN	12				x	55

1/4 -18 NPT	9		x	22		
1/4 -18 NPT	10				x	30
3/8 -18 NPT	10		x	22	x	30
1/2 -14 NPT	10		x	27		
1/2 -14 NPT	12				x	30
3/4 -14 NPT	12				x	32
1 -11.5 NPT	12				x	36
1 1/4-11.5NPT	12				x	46
1 1/2-11.5NPT	12				x	55

1/4 -19 BSP	9		x	22		
1/4 -19 BSP	10				x	30
3/8 -19 BSP	8.5		x	22		
3/8 -19 BSP	10				x	32
1/2 -14 BSP	10		x	27	x	30
1/2 -14 BSP	15		x	27		
5/8 -14 BSP	10				x	30
3/4 -14 BSP	10				x	32
3/4 -14 BSP	17	O-ring			x	32
7/8 -14 BSP	12				x	36
1 -11 BSP	12				x	36
1 1/8-11 BSP	12				x	42
1 1/4-11 BSP	12				x	46
1 3/8-11 BSP	12				x	55
1 1/2-11 BSP	12				x	55

These are only some of the thread sizes available in the Standard Femco drain plug, both Small and Large bottom drain connection.

The Compact Design is also available in many sizes, often designed for a specific application.

The Speed Click Design is available in any thread size and length, as with the Standard Large series.

Hexagon Lengths and plain turned sections are variable and other thread lengths are available to order as are special designs as requested

Popular sizes.

